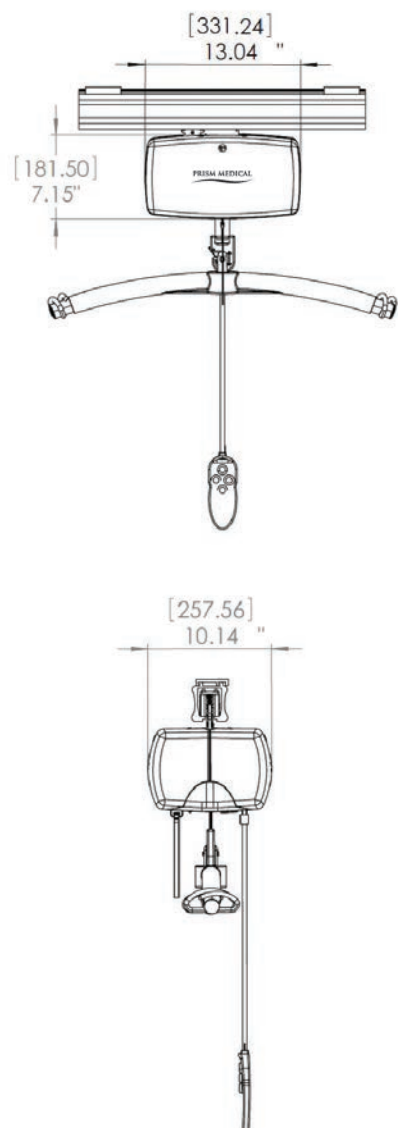


RESPECTFUL, DIGNIFIED AND SAFE CARE....

SPECIFICATIONS FOR PRISM MEDICAL BARIATRIC 1000LBS LIFT

WE'RE THE COMPANY THAT BRINGS YOU THURMAN...



LIFT UNIT:	
Capacity	1000lbs (454 kg)
Lift Motor	24 VDC
Transverse Motor	24 VDC (Optional)
Reverse to Charger Function	Power Traverse Motor. Activated by User. Weight Sensor cut out at 5.5 amps
Digital Display	Indicates number of lifts and battery level
Diagnostic Mode	Via digital display. Display lower limit switch and upper limit switch errors.
Maintenance Indicator	Via digital display
Soft Start/Stop	For both Vertical and Horizontal displacement
Manual Emergency Lowering & Raising	
Electrical Emergency Lowering	
Emergency Stop	Easily Accessible
Overload Circuit Protection	
Low Battery Disconnect System	
Battery Indicator	Audio and Visual
Low Battery Indicator	Via digital display and audio tone
Charging Indicator	Via LCD display
Lift Case	Flame Retardant ABS
Centrifugal Breaking System	
Gear Construction	Metal and Acetal
Strap Length	Up to 2134 mm tested to 4488 lbs
Lift Weight	24.5 lb (11.1 kg)
Lift Size	13.04" x 7.15" x 10.14"
Duty Cycle	1 min "ON", 9 mins "OFF"
Batteries	24 VDC, 12 x 2 VDC, 5.0 Ah
Horizontal Speed	Adjustable, 4 preset settings
CHARGING UNIT	
Power Indicator on charging module	
End stop charger enclosed on track	
120 VAC; 1.0 Amps; 24VDC, 1.5Amps	
HANDSET	
ABS fire retardant	
Tactile buttons	
Pneumatic hand control – piston displacement	



Q & A

1. Is the ceiling high enough?

Ceilings should be more than seven feet six inches high. The size of motor and carry bar systems needed to lift Bariatric clients reduces the available lifting range. Lift and track choices are critical.

2. How hard are these systems to use?

Operating the C-1000 is no different than operating a non-Bariatric lift. Prism Medical's dual or Tandem Gantry system requires more staff co-ordination because of its dual motor system. Each motor has its own hand control and is operated independently, often requiring two staff members to work as a team.

3. Are variable client positions required?

Not always. Both the Tandem and the Single Motor system's two and four point carry bars allow for a variety of loop/sling combinations, making possible the full range of body positions, from seated to supine. The Tandem system has the added advantage of giving the caregiver independent, individual control of a Bariatric client's upper and lower body. This provides the caregiver with precise control over the amount of hip flexion that occurs, decreasing the stress on the client and increasing comfort.

4. Is hip angle greater than 90° critical when transferring client?

The size of some Bariatric clients can cause their torso to become uncomfortably compressed when the hip angle is less than 90°.

5. Will the ceiling lift system be used for bed-care tasks (i.e. turning, limb support, repositioning)?

Yes. Bariatric clients, due to the amount of adipose tissue, turn at different rates than the average client. The ability to turn the lower body independently from the upper body creates a more effective turn, providing the client with considerably more comfort. Caregivers may find the tandem gantry system allows for more effective turning and limb support.

PRISM MEDICAL CUSTOM SLINGS

Slings are the most important component of any lift system as they are the interface between the client and the lift. Prism Medical offers a comprehensive range in a variety of designs and materials.

Prism Medical offers over 100 standard, rehab and bariatric slings. However, recognizing everyone is unique and has different needs, we will customize any of our standard slings or design a sling specific to your client's needs. You can modify an existing sling, like adding an extra strap, or we can start from scratch.

Before creating a custom sling our engineering department reviews the design to ensure that the changes will not result in any loss of integrity. Once the custom sling is finished we then weight test it to ensure its strength.



PRISM MEDICAL

Prism Medical Ltd.

480 University Avenue, Suite 100, Toronto, ON Canada M5G 1V2 | T 416.260.2145 | 1.877.304.5438

www.prismmedical.ca



AND THURMAN BRINGS YOU PRISM'S BARIATRIC SOLUTIONS

At Prism Medical we believe achieving a safe work environment increases a client's safety and dignity of care. A bariatric client's size and immobility-related complications presents a unique challenge. Prism Medical has developed unique solutions to meet those challenges.

PRISM MEDICAL

# DIFFERENT SOLUTIONS, DIFFERENT ADVANTAGES

## C-1000 BARIATRIC LIFT



Every client is unique. A client's needs vary considerably depending on body size, weight, level of mobility and immediate medical condition. Bariatric clients often exceed a lift's safe working load. This creates an unsafe working environment. Luckily, Prism Medical has the answer: the C-1000. The strongest ceiling lift in its class, the C-1000 makes it possible to safely lift or transfer clients of all sizes with respect and dignity.

Prism Medical's C-1000's features include:

- Cycle count - Optional
- Constant Charge
- Emergency Stop/Emergency Lower
- 1000 lbs scale - Optional
- Four Carry Bar Designs for maximum comfort and functionality
- Quick Release System for simple interchange of Carry Bars
- Range of Sling Sizes and Styles for most transfer manoeuvres
- Custom Slings on demand
- Onsite Assessment, Manufacturer's Qualified Installation, Training

## C-1000 TANDEM BARIATRIC SYSTEM



In cases where a client's weight, size or medical condition requires precise control when transferring or re-positioning, Prism Medical's C-1000 Tandem Bariatric Lift provides a safe and reliable solution.

The transfer or re-positioning of Bariatric clients can be difficult. A single track lift can push the legs of a Bariatric client toward the torso, decreasing the hip angle, and compressing the upper body. This can cause discomfort and, in some cases, compromise breathing.

Mounted on dual ceiling tracks running parallel to each other, each track fitted with its own independently-operated motor, the C-1000 Tandem Bariatric system allows a caregiver to separately lift torso and legs. This allows the caregiver to keep the angle between the torso and femur open – sometimes difficult to achieve using a single-motor lift system. Precise body positioning, whether seated or recumbent, is possible with Prism Medical's Tandem Lift System, providing maximum flexibility and comfort.



### TANDEM BARIATRIC SYSTEM CARRY BAR

Prism Medical's Tandem Bariatric Carry Bar allows users to take full advantage of dual motor positioning, giving greater control of a client's weight between the two (torso and leg) lifting motors. (Order No: 360765)



### QRS-1000 QUICK RELEASE SYSTEM

The exclusive QRS-1000 Carry Bar attachment permits you to change your Bariatric lift's Carry Bar or scale quickly and easily – allowing an efficient means to switch between Bariatric and standard carry bars. Compatible with all Prism Medical lifting accessories, QRS-1000's user-friendly lever requires no tools and is simple enough to be operated by finger-tip.

### FOUR-POINT (X-STYLE) CARRY BAR

The Four Point (X-Style) Carry Bar with Quick Release has broadly-spaced attachment points for a sling's shoulder and leg straps, improving the comfort of wide clients. The Quick Release System permits easy interchange of Carry Bars, while the sling strap's multiple loops allow a large range of client positioning. (Order No : 360772)



### WEIGH SCALE

Prism Medical's Ceiling Lift Weigh Scale attaches to any C-series lift strap and is compatible with all Prism Medical's lifts, including our Quick Release system. The weigh scale's digital readout functions up to 1000 lbs (454 kgs).



### BARIATRIC ERGOSLIDE®

For added security, ErgoSafe's Bariatric ErgoSlide®'s strong nylon is sewn into a long roller band. Wide enough for most Bariatric clients, the sliding sheet is perfect whether transferring a client laterally, helping them out of bed, or simply repositioning them.



### BARIATRIC UNIVERSAL SLING

With a 1000 lbs (454 Kgs) safe working load, the Bariatric Universal Sling is available in XXL and XXXL sizes to accommodate larger or taller clients. Since no Bariatric client is the same, our Custom sling service can rapidly modify or customize all our standard slings to suit your client's needs.



### EXTRA-WIDE CARRY BAR

For use of clients with a large torso or generally over 375 lbs. (170Kgs), the Extra Wide Carry Bar makes for comfortable and safe transfers and easy sling attachment. Prism Medical's Quick Release System attachment provides makes it easy to change Carry Bars or add or detach a scale. (Order No: 360771)



### BARIATRIC POSITIONING SLING

The Positioning Sling may be kept in place as part of the bedding or slid under the client when needed. For maximum flexibility when positioning a client: each of the Positioning sling's 12 straps has 3 loops.